

33 513 882

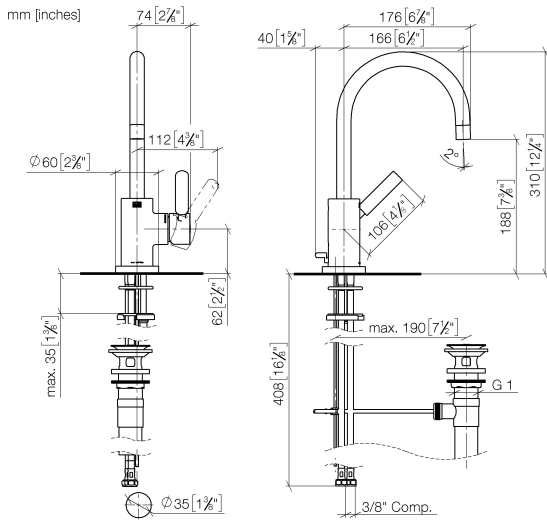


- 166mm projection
- pivotable spout 360°
- circular, air-enriched flow
- height of mixer 310 mm
- height up to aerator 188 mm
- hole diameter 35 mm
- 2x screw-in M 8 x 1 pressure hose, leak-tested
- max. flow 4.5 l/min
- lead-free
- This product can help a building meet the requirements of Green Building Rating Systems, e.g. LEED®, BREEAM®, DGNB

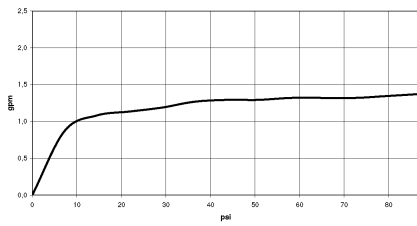
Only suitable for basins with an overflow.

	Chrome	33 513 882-00 0010
	Brushed Platinum	33 513 882-06 0010
	Platinum	33 513 882-08 0010
	Dark Chrome	33 513 882-19 0010
	Brushed Durabronze (23kt Gold)	33 513 882-28 0010
	Matte Black	33 513 882-33 0010
	Brushed Champagne (22kt Gold)	33 513 882-46 0010
	Champagne (22kt Gold)	33 513 882-47 0010
	Brushed Chrome	33 513 882-93 0010
	Brushed Dark Platinum	33 513 882-99 0010

33 513 882



Flow rate chart



Codes & Standards

California Energy
Commission
(CEC)

Water Sense





TARA Single-lever basin mixer with pop-up waste - Chrome

TARA

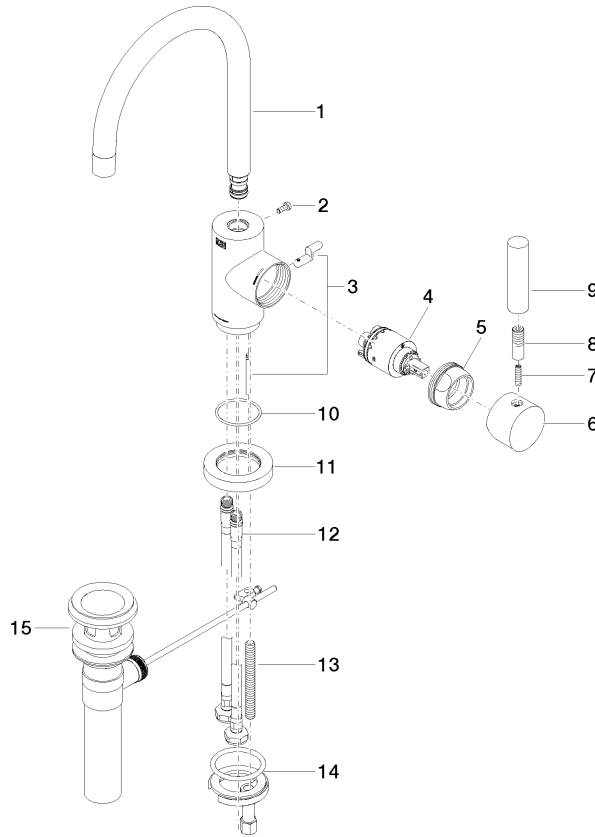
33 513 882

Certificates

IAPMO_8834 (2). IAPMO_4976 (7). IAPMO_N-4976 (1). IAPMO_6397 (1).

33 513 882

Parts for other finishes can be found here: [Brushed](#)
[Platinum](#)



Spare parts list

No.	Item Number	Name	Quantity used	Delivery time
1	90 28 22 372 01-00	spout	1	10
2	09 30 30 054 90	screw	1	2
3	04 20 16 031 80-00	pull-rod	1	10
4	90 15 05 065 00 90	cartridge	1	2
5	09 24 04 107-00	nut	1	10
6	90 20 88 040 00-00	handle	1	10
7	09 31 11 010 90	pin	1	2
8	90 24 04 048 00-00	nipple	1	10
9	11 170 880-00	handle	1	10
10	09 14 10 034 90	seal	1	2
11	09 28 10 055-00	rosette	1	10
12	04 30 04 106 00 90	hose	2	2
13	09 31 11 011 90	pin	1	2
14	04 30 11 038 00 90	fixing set	1	2
15	90 11 01 023 00-00	pop-up waste	1	10